

AIR CARE ²

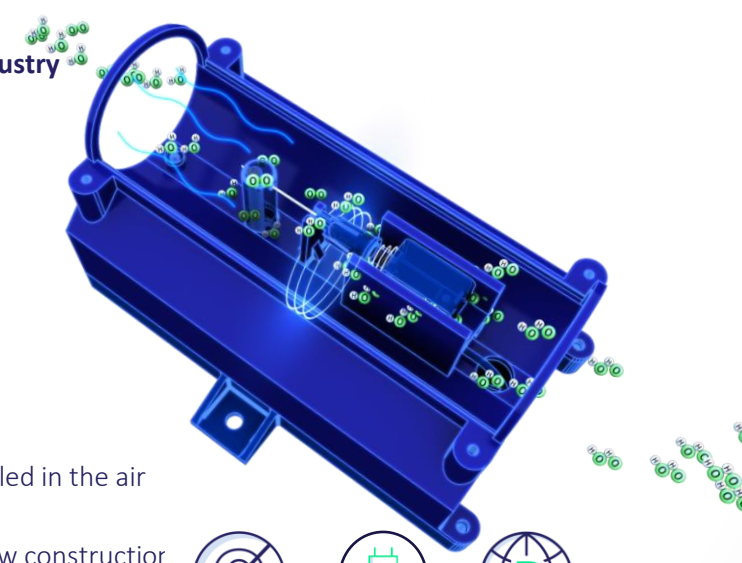
Spec Sheet

Tadiran Technologies introduces AIR CARE O₂[™], a unique air purification technology that is up to 100X times more effective compared with existing solutions. The AIR CARE O₂[™] technology breaks Oxygen (O₂) into two separate "O" atoms by using a discharge current. These free O₂ atoms combine with the H₂O molecules in the airflow and transform into hydrogen peroxide (H₂O₂). The H₂O₂ is then distributed through the indoor unit of the air conditioner into the conditioned living space.

The AIR CARE O₂[™] proactively treats the air-conditioned space, building the conditions in the room for effective treatment and lasting effect. AIR CARE O₂[™] effectively neutralizes particulate matter, mold, bacteria and virus cells

TECHNOLOGY & BENEFITS

- Eliminates bacteria, viruses and molds, up to **100X more efficiently than existing industry solutions**. Patented method of use
- Tested by **FDA cleared** testing lab
- **Treats the air** with a proactive approach that eliminates viruses **wherever they are**
- **Built-in monitoring unit** for operation indication/BMS integration capability
- **Maintenance free**, patented automated self-cleaning mechanism
- **Lasting effect**, even when AC is off
- **Easy to install in AC systems** where it is installed in the air inlet of the indoor unit
- **Applicable anywhere:** residential, schools, new constructor hospitality, senior living and more



Ozone Free



Low Energy Consumption



Global Patent

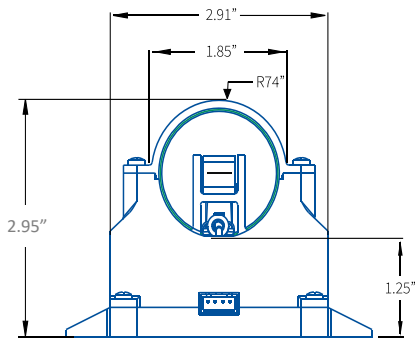
Bioaerosol Type	Species	Testing Lab	%Reduction
Virus	RNA Virus MS2 Bacteriophage	Aerosol Research and Engineering Laboratories	99.99998%
Bacterial	Staphylococcus Epidermis Vegetative (+)	Aerosol Research and Engineering Laboratories	99.99994%
Mold spore	Aspergillus Niger	Aerosol Research and Engineering Laboratories	98.93%



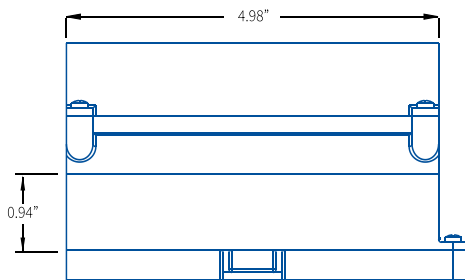
TADIRAN

KEY FEATURES

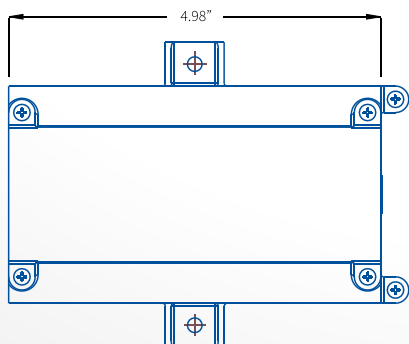
● Front View



● Side View



● Top View



Parameters	Value
Weight	270 g
Dimensions	See drawings
Housing material	ABS plastic, white color
Operation temperature	5°-55°C
Operation humidity (non-condensing)	20%-80%
Input voltage	12VDC ± 10%,
Power consumption	1W
Visual	Green / red indication for proper operation
Maintenance	Self-cleaning mechanism
Corona discharge type	Unipolar
Hydrogen peroxide level	<7ppb
Warranty	1 year product warranty