



TADIRAN AIROW 1™

Ducted Spec Sheet

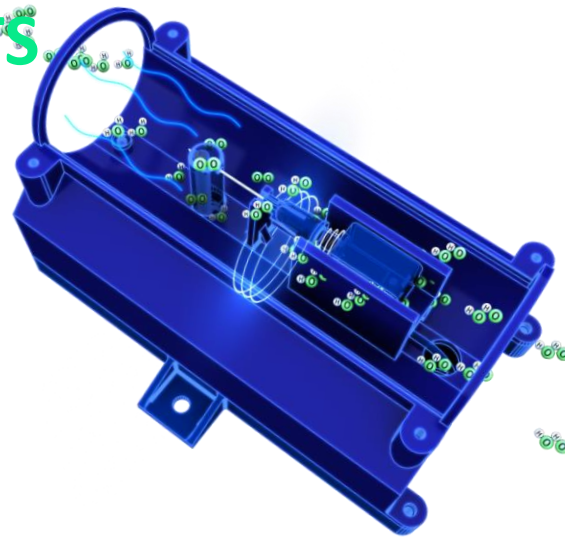
Hydrogen Peroxide Aerosol Disinfectant

Tadiran Technologies introduces TADIRAN AIROW 1™, a unique air purification technology that proactively treats every cubic inch of air-conditioned space. The TADIRAN AIROW™ technology breaks Oxygen (O₂) into two separate “O” atoms by using a discharge current. These free O atoms combine with the H₂O molecules in the airflow and transform into hydrogen peroxide (H₂O₂). The H₂O₂ is then distributed through the indoor unit of the air conditioner into the conditioned living space, deactivating a wide range of microorganisms, including COVID, bacteria, viruses, and mold^[1]. The H₂O₂ which is produced in the process is <15-7 PPB, which is 50-100x less than OSHA (1,000 PPB) ^[2]

The TADIRAN AIROW builds the conditions in the room for effective treatment of almost 100% of COVID, bacteria, viruses, and mold with a lasting effect of up to 24H ^[3].

TECHNOLOGY & BENEFITS

- Eliminates **up to 99.998%** bacteria, viruses and mold^[1], Patented method of use
- Tested by **FDA cleared** testing lab
- **Best-in-class air purification technology**, treats the air with a proactive approach that eliminates viruses **wherever they are**
- **Maintenance free**, patented automated self-cleaning mechanism
- **Lasting effect**, even when AC is off
- **Easy to install in split AC systems**, seamlessly fits into the indoor unit’s inlet
- **Applicable anywhere:** residential, schools, new construction, hospitality, senior living and more



Ozone Free



Low Energy Consumption



Patented Technology

Bioaerosol Type	Species	Testing Lab	%Reduction
Virus	RNA Virus MS2 Bacteriophage	Aerosol Research and Engineering Laboratories	99.9988%
Bacterial	Staphylococcus Epidermis Vegetative (+)	Aerosol Research and Engineering Laboratories	99.9973%
Mold spore	Aspergillus Niger	Aerosol Research and Engineering Laboratories	98.93%

[1] TADIRAN AIROW reduced detected SARS-COV-2 aerosol levels by 99.998% within 1 ½ hour (1 cubic meter test chamber).

TADIRAN AIROW reduced MS2 levels by 99.9988% in 2½ hours (1 cubic meter test chamber).

TADIRAN AIROW reduced Staphylococcus Epidermidis by 99.9973% in 2½ hours (1 cubic meter test chamber).

TADIRAN AIROW reduced levels of Aspergillus Niger by 98.93% in 2 hours (1 cubic meter test chamber).

[2]Based on a Test of Hydrogen Peroxide emission commissioned by TADIRAN from LSC Labortory inc

[3] https://www3.epa.gov/pesticides/chem_search/cleared_reviews/csr_PC-000595_12-Jul-07_a.pdf



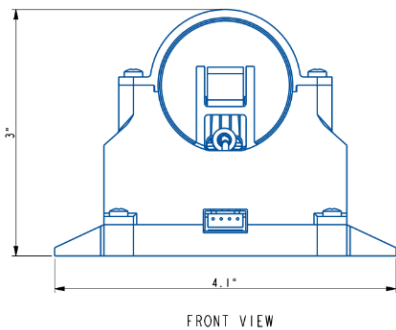


TADIRAN

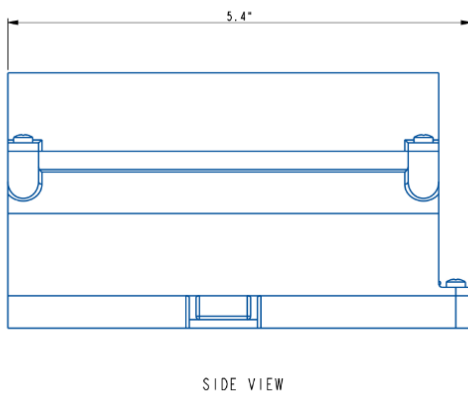
KEY FEATURES



● Front View



● Side View



Installation Location & Direction

The device is to be installed either in:

- The return air side
- The air supply outlet of the air conditioner ductwork
- Or in the indoor unit between the filter and coil

*Please follow the arrow direction to ensure correct installation. **Non Condensing.**

Parameters	Value
Weight	0.66 lbs
Dimensions	See Drawings
Housing Material	ABS Plastic, White color
Operation Temperature	23°F - 131°F
Operation Humidity (Non-Condensing)	20%-90%
Input Voltage	24 VAC ± 10%
Power Consumption	1 W Max
Visual	Green / Red Indication for Proper Operation
Maintenance	Self-Cleaning Mechanism
Ozone Concentration	<5 ppm
Hydrogen Peroxide Level	<=15ppb
Warranty	3 Year Product Warranty

[4] *Independent tests commissioned by Tadiran showed that TADIRAN AIROW 1™ technology eliminated known aerosolized pathogens under optimal testing conditions. To learn more about the tests, visit www.tadiran-international.com/scientific-testing.